

Installation



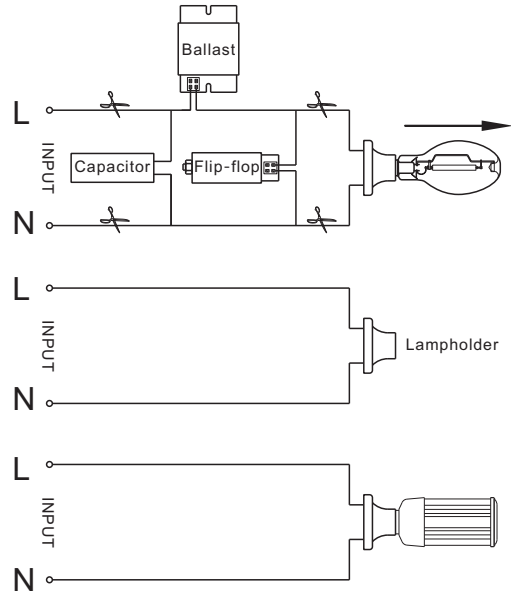
WARNING:

Switch off the power supply before installation and let the electrician or the person who has the same ability to install the lamp.

Step 1
Remove or bypass the Ballast, Capacitor and Flip-flop (if existing).
Remove HPS or MHL.
Note the input voltage to be appropriate.

Step 2
Reconnect directly to existing lampholder.
Note the input voltage to be appropriate.

Step 3
Install new LED corn light.
Note the input voltage to be appropriate.



CAUTIONS

- Suitable for damp locations.
- Risk of electric shock. Do not use where directly exposed to water.
- Do not use with dimmers.
- Suitable for use in totally enclosed fixtures.
- Don't take apart the lamps without our permit.
- Please read carefully manual before installation.

Applications



Acorn



Ball



Ball



Canopy



Cobra Head



Flood light



Garage light



High/Low Bay



Pendant



Post Top



Post Top



Wall Pack