

LED SHOEBOX AND PARKING LIGHT FIXTURE V8

Job / Project Name	
Product Model Number	
Quantity	
Date	

APPLICATIONS

Parking structures, storage areas, shopping areas, walkways, entryways and athletic facilities.

PRODUCT FEATURES

- **Wattages:** 100W, 150W, 200W, 300W
- **Color Temperatures:** 50K (standard), 40K, 45K, 57K
- **Efficacy:** 120-140 lm/W
- **Voltage Input:** 100-277VAC, 480VAC
- **CRI:** >70
- **Distribution:** Type 3
- **Mounting:** Direct mount, slip fitter, yoke mount
- **Warranty:** 5 years

SPECIFICATIONS

PRODUCT #	WATTAGES	LUMENS (+/-10%)	SUGGESTED HID EQUIV.	COLOR	CERT.
ZL8-LDS-PH-100-XXK	100W	13,250	175-200W	Brown, Black, White	UL
ZL8-LDS-PH-150-XXK	150W	19,900	250-400W	Brown, Black, White	UL
ZL8-LDS-PH-200-XXK	200W	26,500	400-700W	Brown, Black, White	UL
ZL8-LDS-PH-300-XXK	300W	39,750	700-1,000W	Brown, Black, White	UL

PRODUCT BUILDER

Ex: ZL8-LDS-PH-150-50K-480VAC-A-BL-PC

ZL8-LDS-PH	-		-		-		-		=	
Type	Wattage	Color Temperature	Voltage Input	Mounting	Housing Color	Photocell (optional)				
	100W	50K (standard)	100-277VAC	A (Slip Fitter - Round Pole)	BR (Brown)	PC				
	150W	57K	480VAC	B (Horizontal - Square Pole)	BL (Black)					
	200W	45K		C (Yoke Mount)	W (White)					
	300W	40K								

100W, 150W with slip fitter



100W, 150W with direct mount



200W, 300W with slip fitter

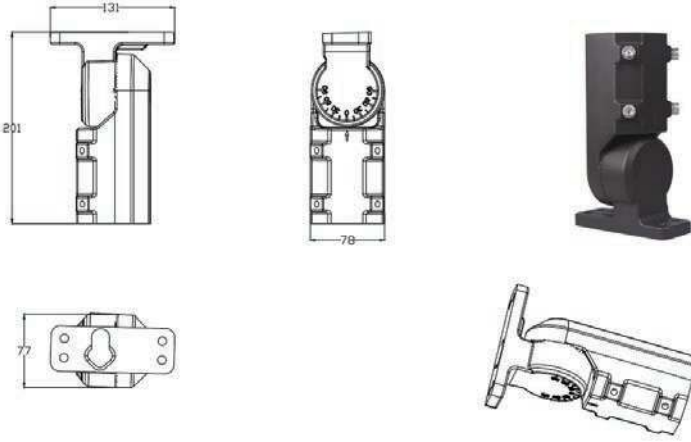


200W, 300W with direct mount

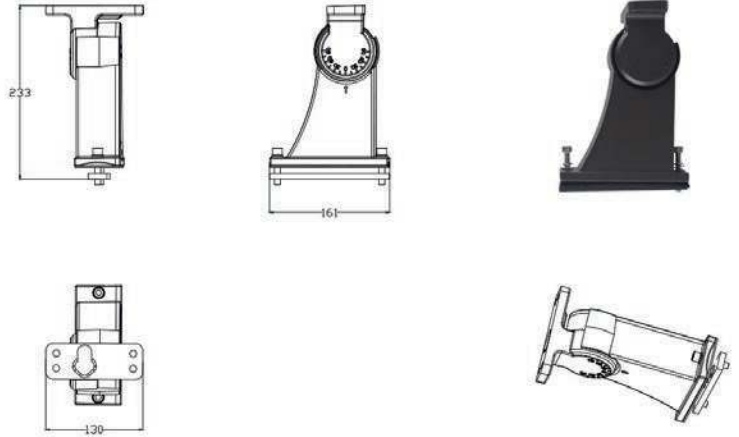


MOUNTING OPTIONS

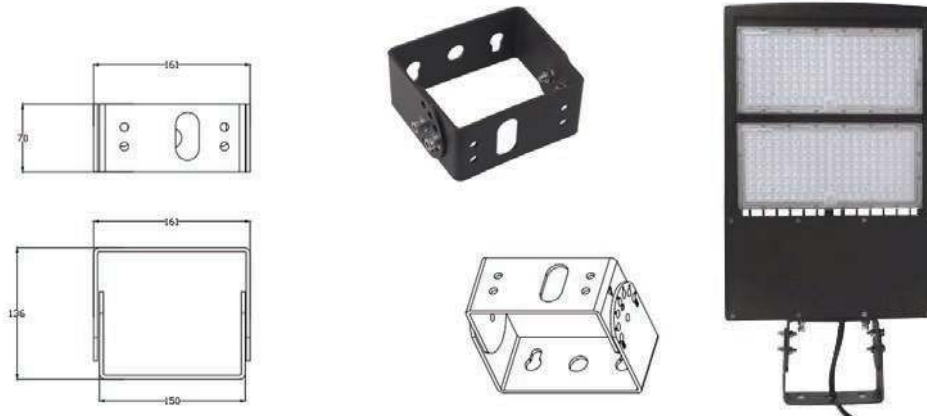
A) SLIP FITTER/ROUND POLE (STANDARD)



B) HORIZONTAL/SQUARE POLE (STANDARD)



C) YOKE BRACKET (SPECIAL ORDER)



PHOTOCELL SENSOR

