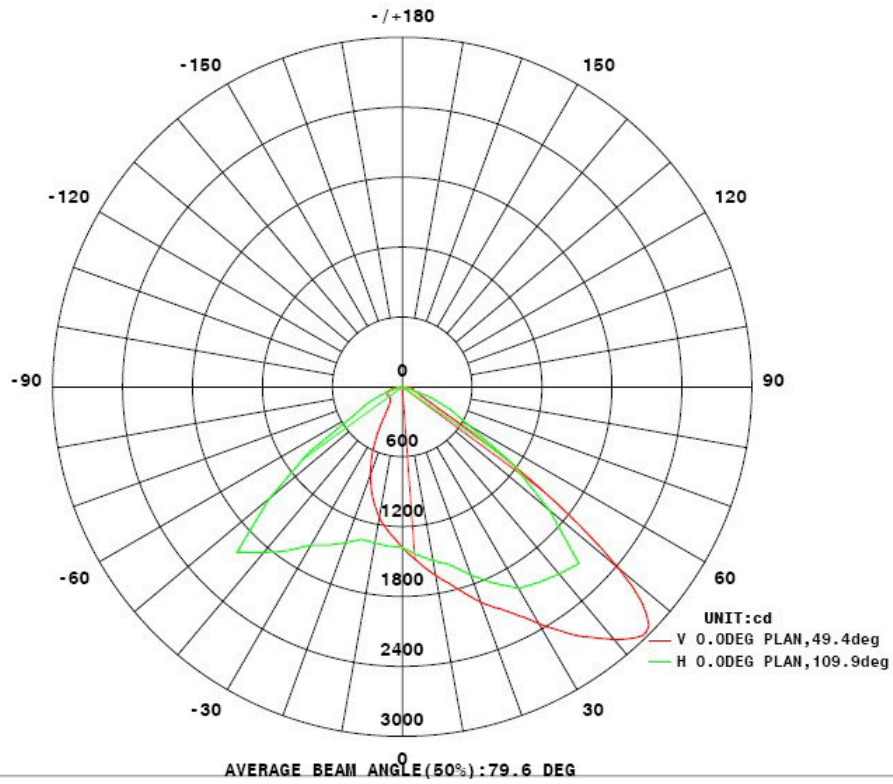
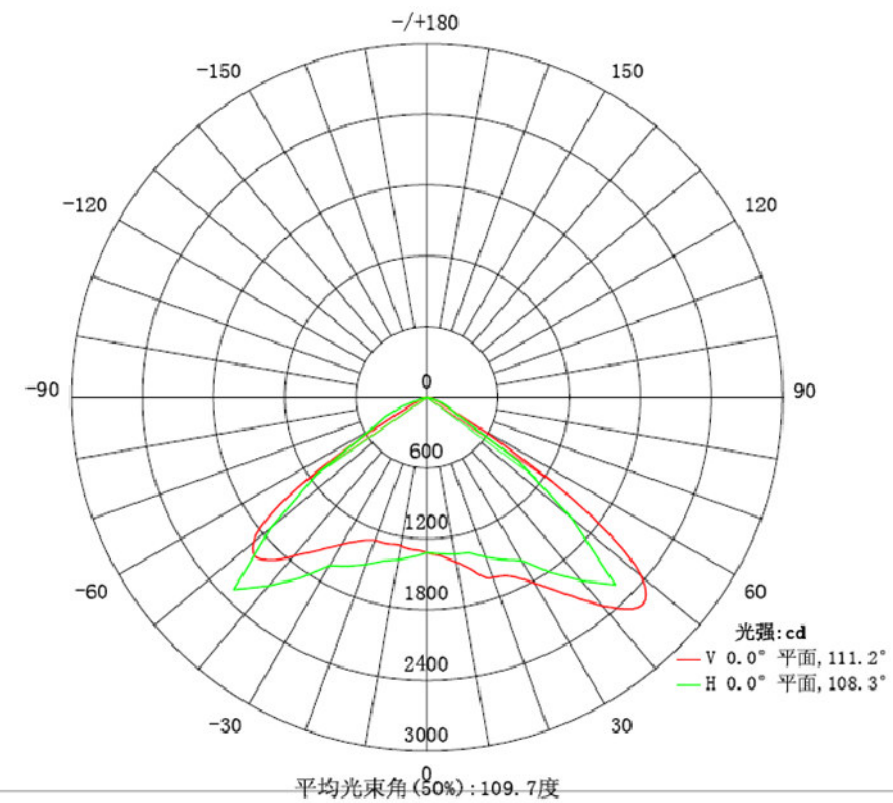


**Optical data:**

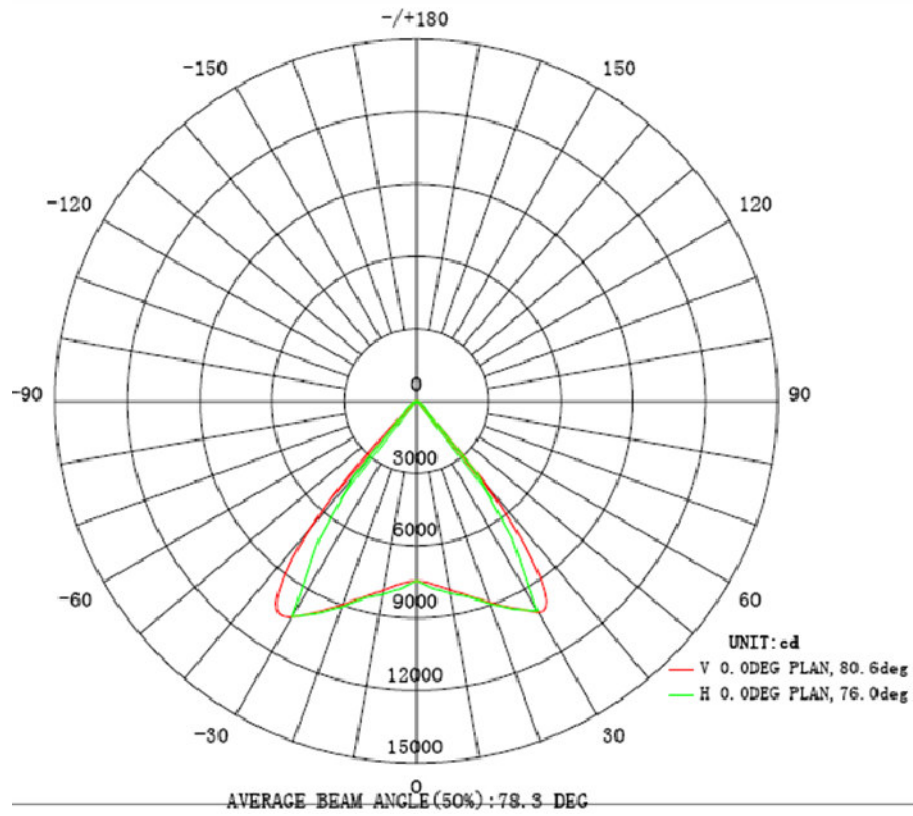
**W1 90\*120DEG.**



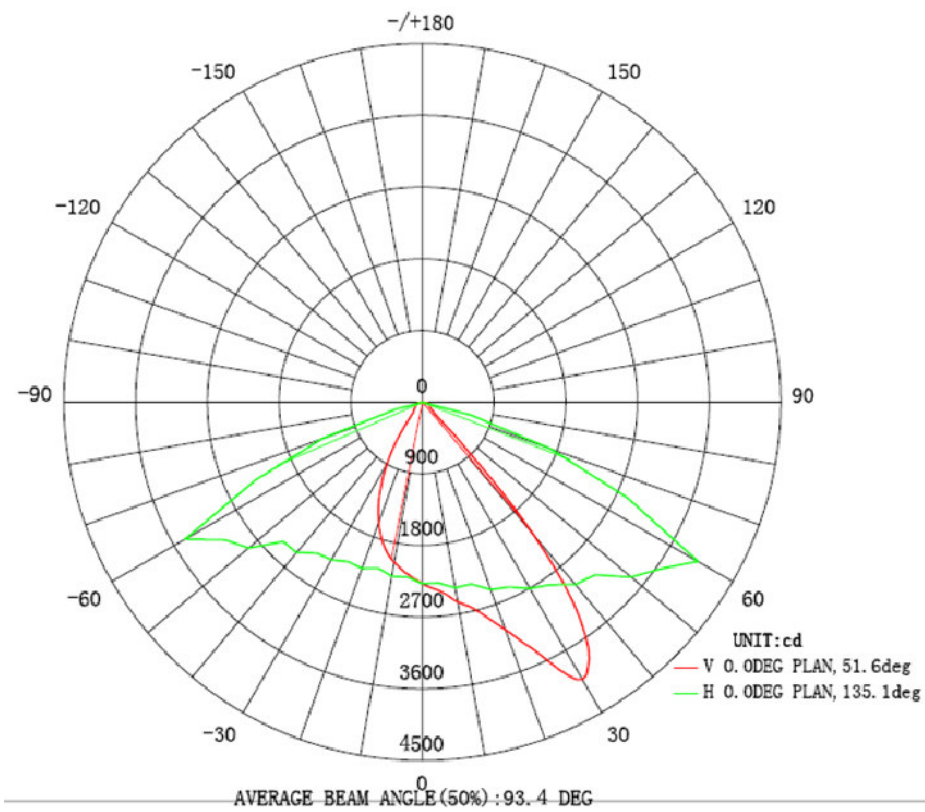
**W2 120DEG.**



### W3 90DEG.



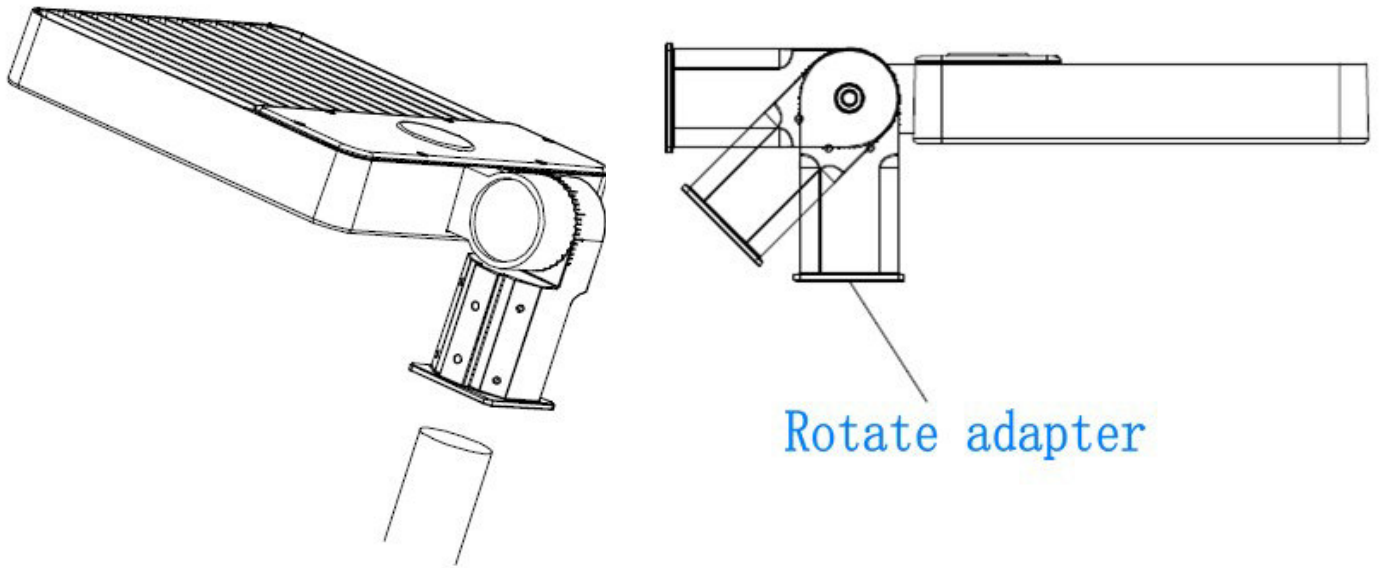
### W4 85\*135DEG.



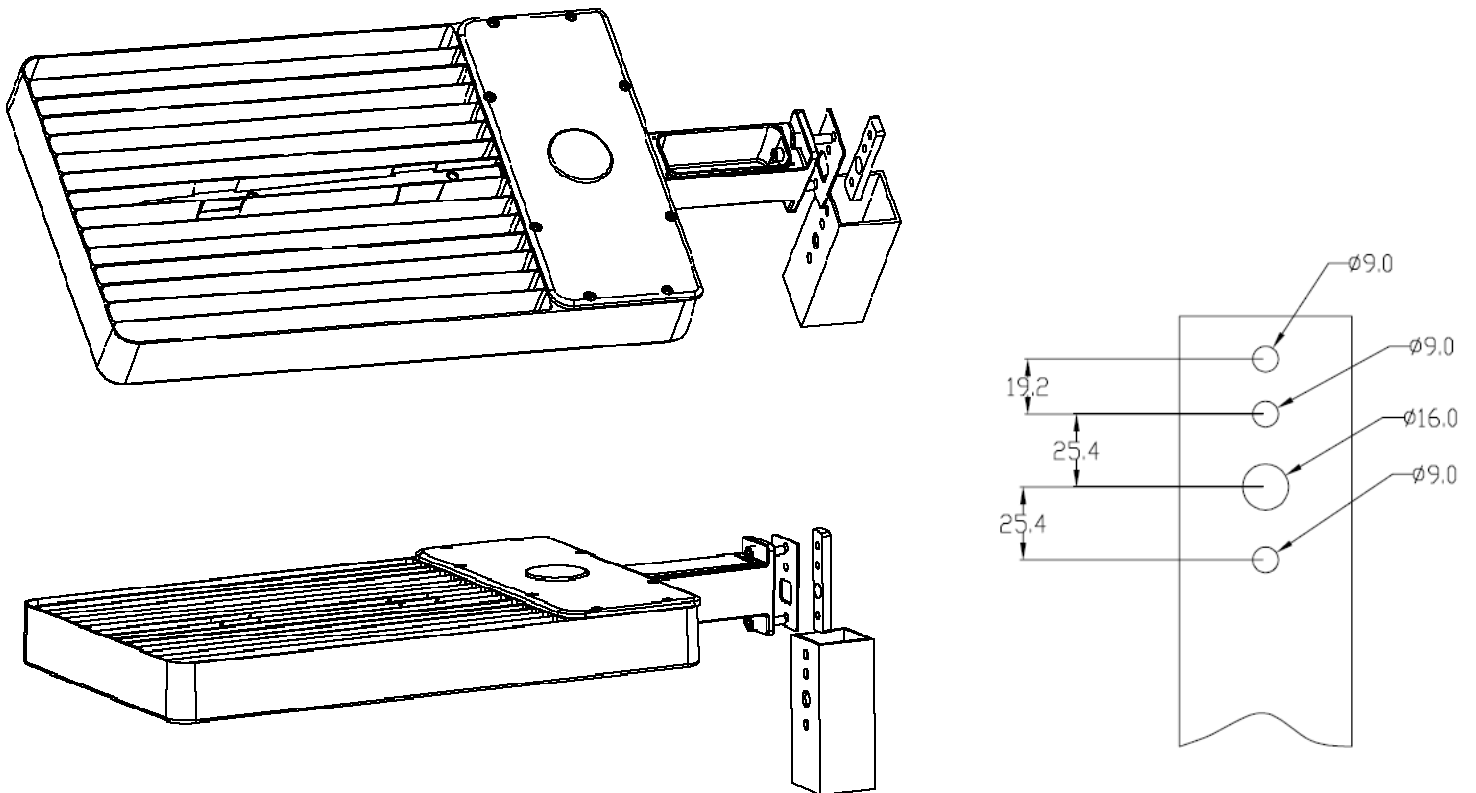
---

**V : Installation Instruction :**

**Type A Pole diameter:  $\phi$  60MM**

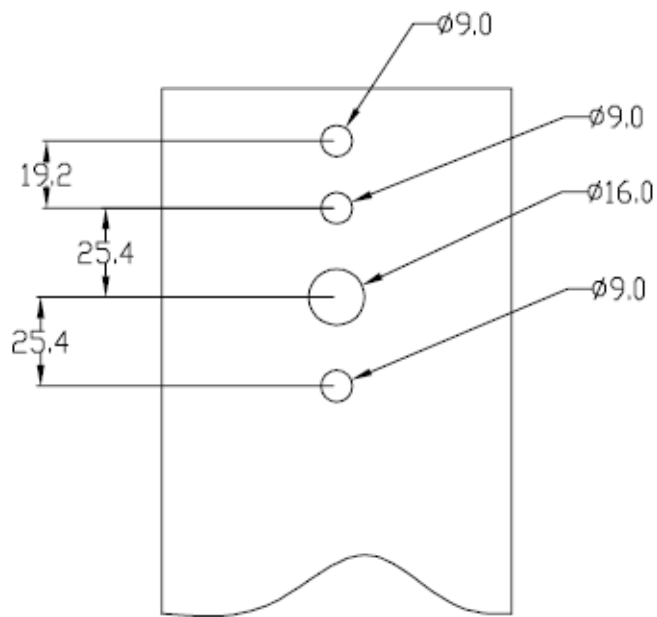
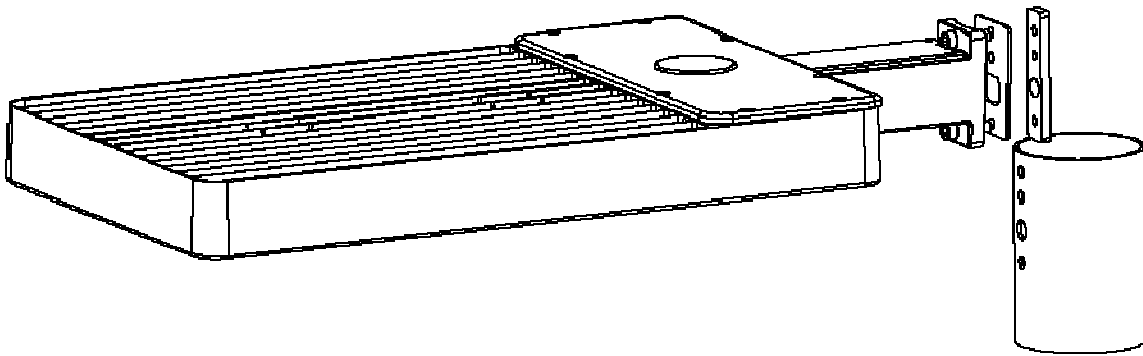
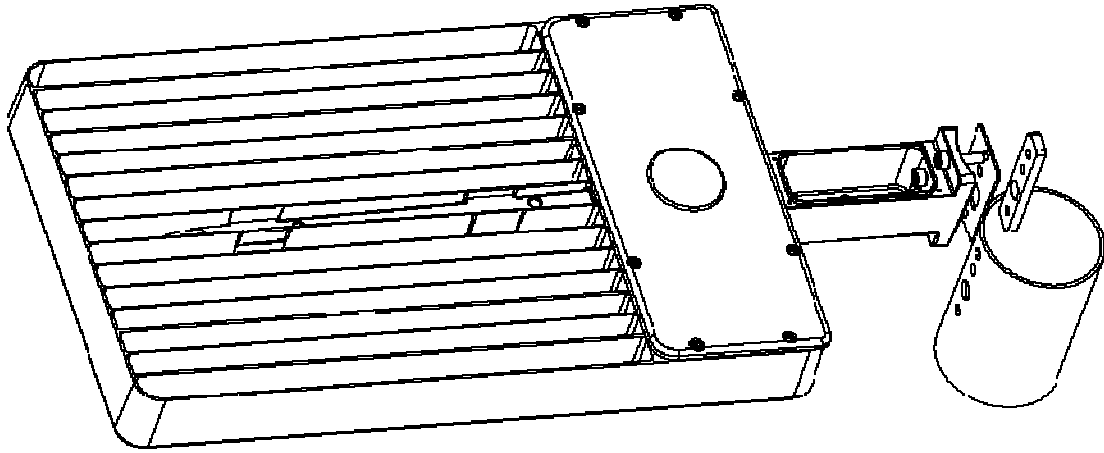


**Type B Rectangular Pole**

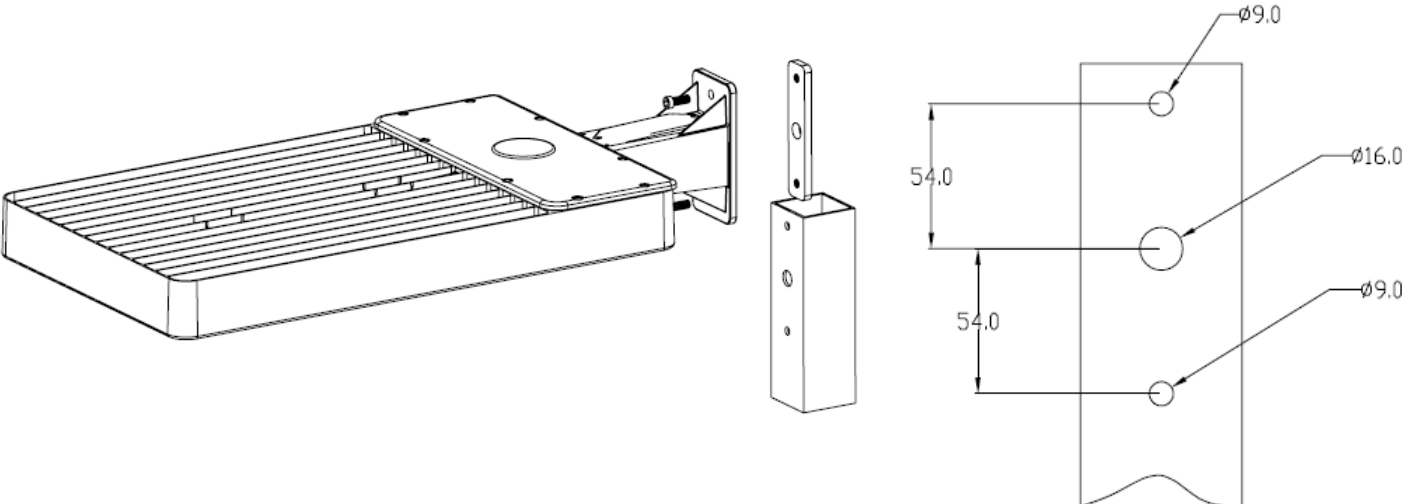


---

**Type C    Circular Pole  $\phi$  60MM-114MM**



**Type D Rectangular Pole**



**Type E Circular Pole  $\phi 60\text{MM}-114\text{MM}$**

